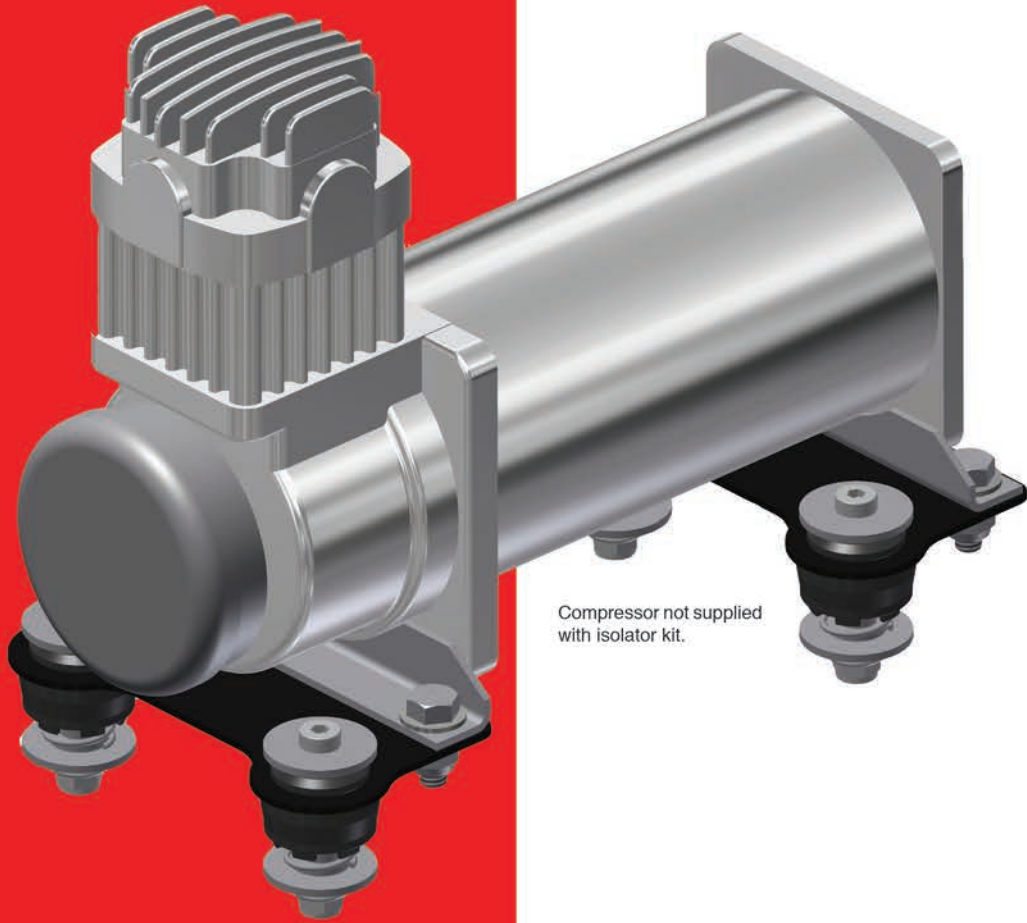


Air Lift™

PERFORMANCE

Compressor Isolator Kit 50714



Compressor not supplied
with isolator kit.



INSTALLATION GUIDE

For maximum effectiveness and safety,
please read these instructions completely
before proceeding with installation.

*Failure to read these instructions can result in an
incorrect installation.*

MN-902 • (011307) • ERN 7261



View AutoPilotV2™ videos at:
www.airliftperformance.com/video/



TABLE OF CONTENTS

Installation Diagram	4
Hardware List.	4
Installing the Compressor Isolator Kit	5
Warranty and Returns Policy	6
Replacement Information	6
Contact Information	6
16380 Compressor Template	7



Introduction

The purpose of this publication is to assist with the installation of an Air Lift Performance compressor isolator kit.

It is important to read and understand the entire installation guide before beginning installation. The information includes a hardware list, step-by-step installation information and safety information.

Air Lift Company reserves the right to make changes and improvements to its products and publications at any time. For the latest version of this manual, contact Air Lift Company at (800) 248-0892 or visit our website at www.airliftperformance.com.

NOTATION EXPLANATION

Hazard notations appear in various locations in this publication. Information which is highlighted by one of these notations must be observed to help minimize risk of personal injury or possible improper installation which may render the vehicle unsafe. Notes are used to help emphasize areas of procedural importance and provide helpful suggestions. The following definitions explain the use of these notations as they appear throughout this guide.



DANGER

INDICATES IMMEDIATE HAZARDS WHICH WILL RESULT IN SEVERE PERSONAL INJURY OR DEATH.



WARNING

INDICATES HAZARDS OR UNSAFE PRACTICES WHICH COULD RESULT IN SEVERE PERSONAL INJURY OR DEATH.



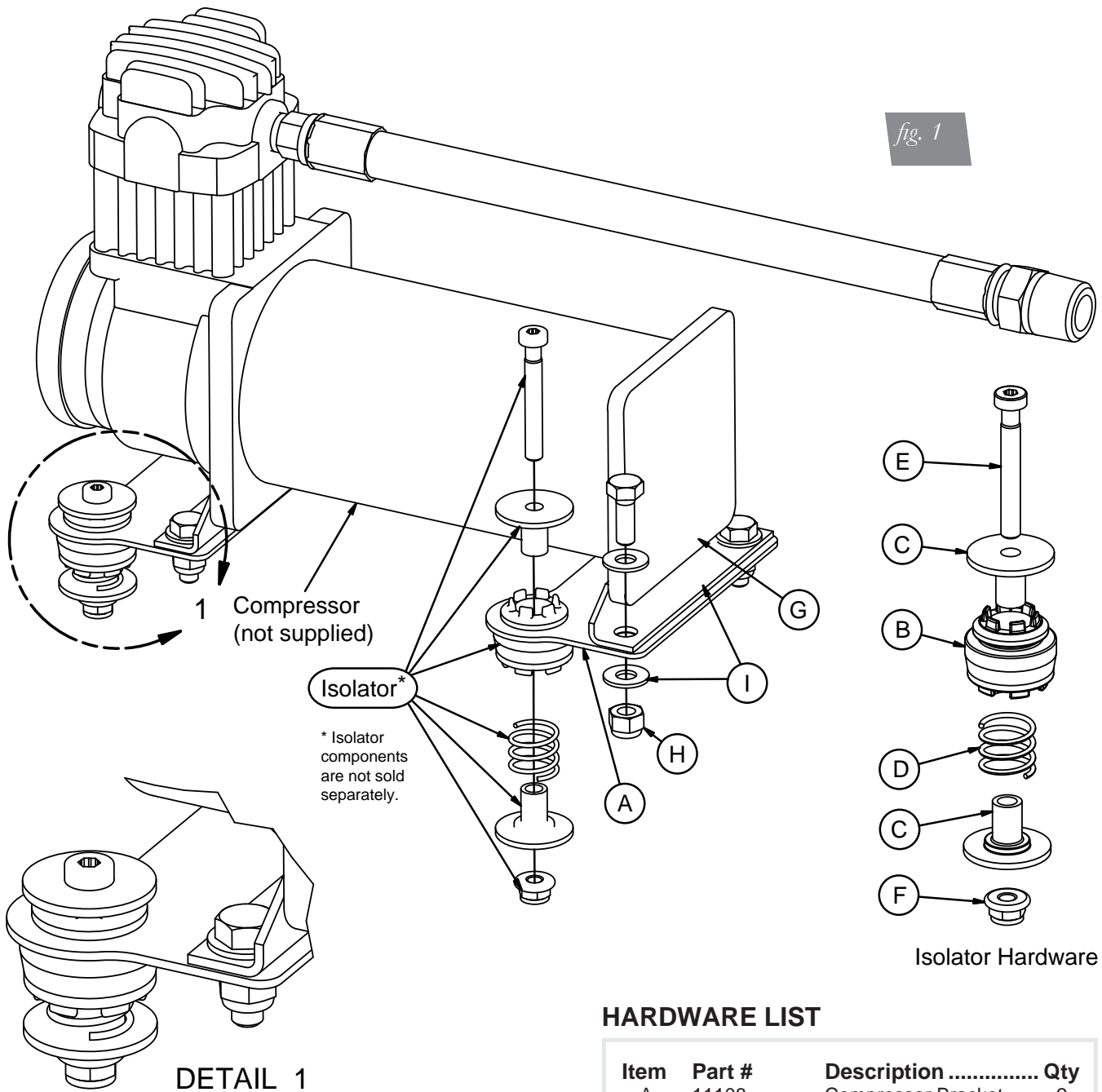
CAUTION

INDICATES HAZARDS OR UNSAFE PRACTICES WHICH COULD RESULT IN DAMAGE TO THE MACHINE OR MINOR PERSONAL INJURY.

NOTE

Indicates a procedure, practice or hint which is important to highlight.

Installation Diagram



NOTE: The torque specification for the 1/4-20 Nyloc nuts (H) and M6 nuts (E, F) is **ONLY** 5 ft-lbs.



Missing or damaged parts? Call Air Lift customer service at (800) 248-0892 for a replacement part.

Installing the Compressor Isolator Kit

1. **Layout:** Plan compressor location first. Prior to mounting, check to make sure the electrical harness connections will reach the compressor, the compressor leader hose will reach the tank, and the plumbing will route cleanly through the vehicle.

CAUTION

BE SURE TO INSTALL ALL COMPONENTS AS FAR AS POSSIBLE FROM ANY HEAT SOURCES. PLAN AND PREPARE HARNESS AND PLUMBING ROUTING THROUGH THE VEHICLE. ELIMINATE ALL SHARP EDGES THAT COULD CHAFE. USE GROMMETS WHEN PASSING THROUGH COMPARTMENT WALLS.

2. **Attach the isolators and brackets to the compressor (fig. 1).**

- Remove the factory VIAIR® rubber isolators and sleeves (fig. 2).



- Attach the compressor isolators and brackets to your VIAIR® air compressor with the supplied ¼-20 hardware.
- Refer to the diagram (fig. 1) on page 4 for proper installation and parts layout.

CAUTION

THE TORQUE SPECIFICATION FOR THE ¼-20 NYLOC LOCK NUT IS ONLY 5 LB-FT. OVER TIGHTENING WILL CAUSE PERMANENT DAMAGE TO THE ISOLATOR COMPONENTS.

3. **Prepare and install the compressor.**

- Prepare the compressor intake. If installed inside the vehicle, attach the filter to the port on the end of the compressor. If the compressor is located outside the vehicle, snorkel the inlet filter to a dry location inside the vehicle.
- Center punch and drill four holes using the template on page 7.
- Insert the isolator springs, spring seats, and retaining washers onto the compressor. Refer to the diagram (fig. 1) on page 4 for proper installation and parts layout.
- Mount the compressor with the supplied M6 nut and bolts.

CAUTION

DO NOT MOUNT COMPRESSORS UPSIDE-DOWN. HEAT TRAVELS UPWARD AND DOES NOT DISSIPATE WELL IN THE MOTOR HOUSING. A SIDEWAYS MOUNTING MAY REDUCE THE LIFE OF THE PISTON SEAL AND COMPRESSOR.

CAUTION

THE TORQUE SPECIFICATION FOR THE M6 NUTS IS ONLY 5 LB-FT. OVERTIGHTENING WILL CAUSE PERMANENT DAMAGE TO THE ISOLATOR COMPONENTS.

NOTE

If the harness must be lengthened, use properly sized butt connectors and wire. If extending the power/ ground wires, use 8AWG wire minimum or contact Air Lift for more information.

NOTE

The main Auto Pilot V2 harness is only capable of powering a single compressor. If installing dual compressors, a second dedicated power wire is required. Consult the Auto Pilot V2 Manual (MN-754) for proper wiring, and contact Air Lift for an optional second compressor harness (part number: 27679).

Warranty and Returns Policy

Air Lift Company warrants its performance products for one year to the original purchaser against manufacturing defects one year from the date of purchase when used on cars and trucks as specified under normal operating conditions. The warranty does not apply to products that have been improperly applied, improperly installed, or which have not been maintained in accordance with installation instructions furnished with all products. The consumer will be responsible for removing (labor charges) the defective product from the vehicle and returning it, transportation costs prepaid, to the dealer from which it was purchased or to Air Lift Company for verification.

Air Lift will repair or replace, at its option, defective products or components. A minimum \$10.00 shipping and handling charge will apply to all warranty claims. Before returning any defective product, you must call Air Lift at (800) 248-0892 in the U.S. and Canada (elsewhere, (517) 322-2144) for a Returned Materials Authorization (RMA) number. Returns to Air Lift can be sent to: Air Lift Company • 2727 Snow Road • Lansing, MI • 48917.

Product failures resulting from abnormal use or misuse are excluded from this warranty. The loss of use of the product, loss of time, inconvenience, commercial loss or consequential damages are not covered. The consumer is responsible for installation/reinstallation (labor charges) of the product. Air Lift Company reserves the right to change the design of any product without assuming any obligation to modify any product previously manufactured.

This warranty gives you specific legal rights and you may also have other rights that may vary from state-to-state. Some states do not allow limitations on how long an implied warranty lasts or allow the exclusion or limitation of incidental or consequential damages. The above limitation or exclusion may not apply to you. There are no warranties, expressed or implied including any implied warranties of merchantability and fitness, which extend beyond this warranty period. There are no warranties that extend beyond the description on the face hereof. Seller disclaims the implied warranty of merchantability. Dated proof of purchase required.

Replacement Information

If you need replacement parts, contact the local dealer or call Air Lift customer service at (800) 248-0892. Most parts are immediately available and can be shipped the same day.

Contact Air Lift Company customer service at (800) 248-0892 first if:

- Parts are missing from the kit.
- Broken or defective parts in the kit.
- Technical assistance on installation or operation is needed.
- Wrong parts in the kit.
- Have a warranty claim or question.

Contact the retailer where the kit was purchased:

- If it is necessary to return or exchange the kit for any reason.
- If there is a problem with shipping, if shipped from the retailer.
- If there is a problem with the price.

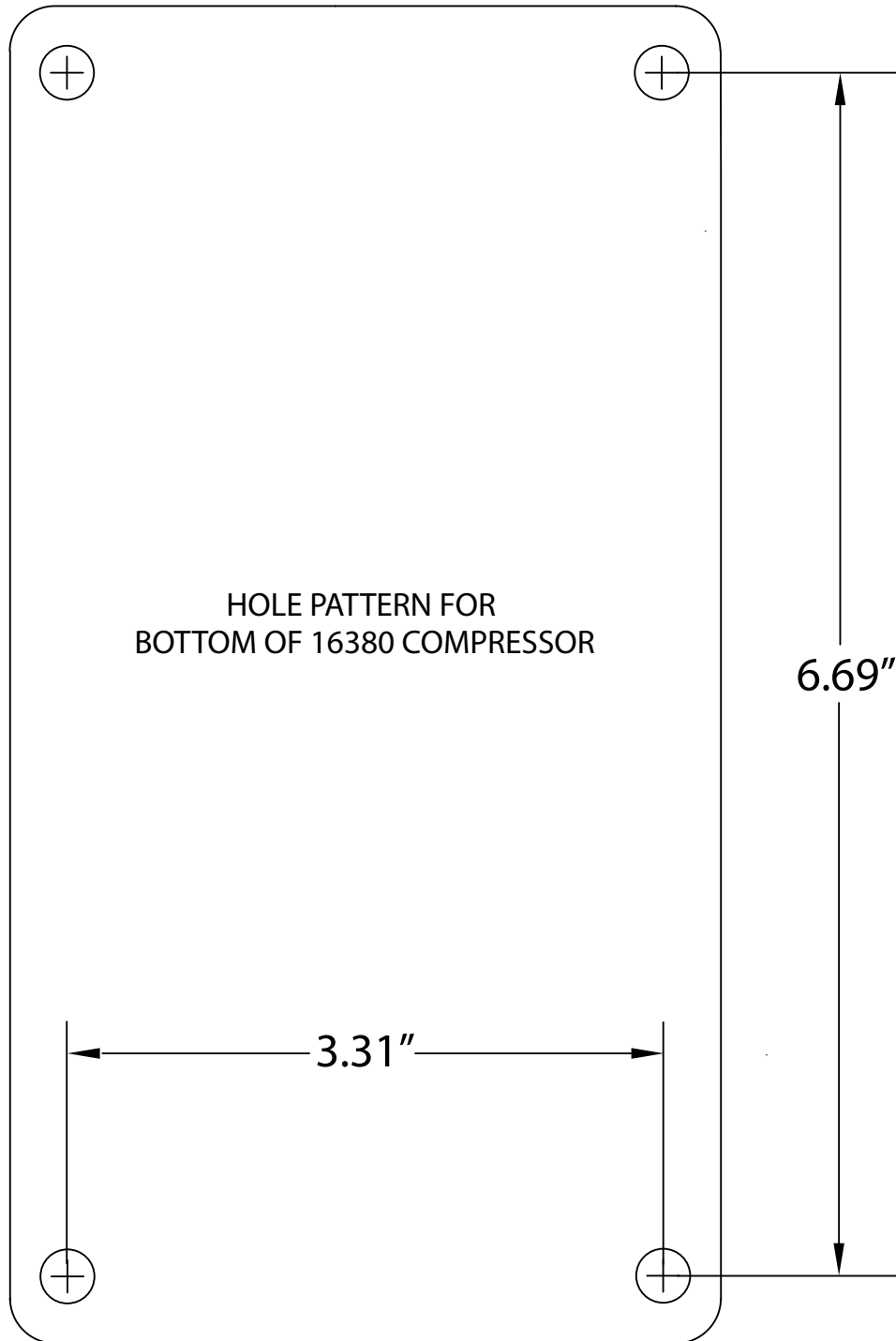
Contact Information

If you have any questions, comments or need technical assistance contact our customer service department by calling (800) 248-0892, Monday through Friday. For calls from outside the USA or Canada, our local number is (517) 322-2144. You may also contact customer service anytime by e-mail at techsupport@airliftperformance.com.

For inquiries by mail, our address is PO Box 80167, Lansing, MI 48908-0167. Our shipping address for returns is 2727 Snow Road, Lansing, MI 48917.

You may also contact our sales team anytime by e-mail at sales@airliftperformance.com or on the web at www.airliftperformance.com.

16380 Compressor Template



Need Help?

Contact our customer service department by calling (800) 248-0892, Monday through Friday. For calls from outside the USA or Canada, our local number is (517) 322-2144.



Thank you for purchasing Air Lift Performance products!

Air Lift Company • 2727 Snow Road • Lansing, MI 48917 or PO Box 80167 • Lansing, MI 48908-0167
Toll Free (800) 248-0892 • Local (517) 322-2144 • Fax (517) 322-0240 • www.airliftperformance.com

Printed in
the USA